

### JOIN LOW TABLES

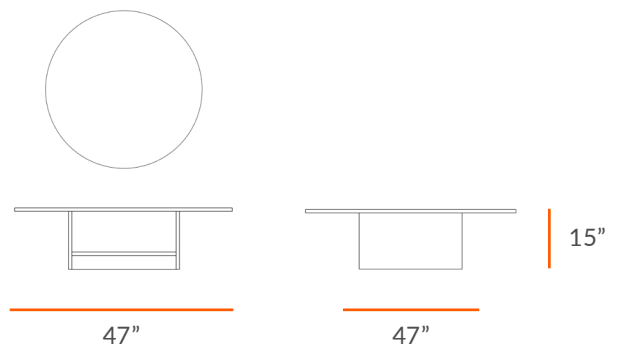


### Description

The **Join Table** is available in either a circular or square version. All tables are the same height. These lower, large surface area tables are perfect for early childhood play and learning environments, and ideal in common spaces for older children. They all benefit from an additional under space, which can be incorporated into open-ended play, or utilized as additional storage.

### Product features

- Edges all smoothed and finished
- Locking castors
- Shelving underneath table



### Materials

- Europly FSC Certified hardwood plywood (FSC R 012337)
- MPX® FSC Certified Hardwood Plywood (FSC R 012337)

### JOIN ROUND TABLES

LENGTH 47"

DEPTH 47"

HEIGHT 15"

Dimensions indicated are approximate. Please contact us if you require clarification.

